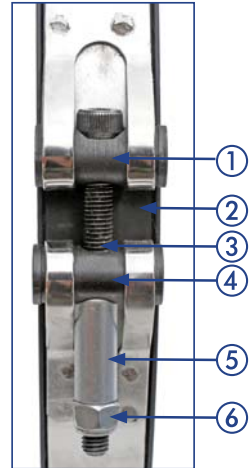


# "STRAP" hanging clamps

STEEL



Full mounted clamp  
with "A" type support



### Locking System:

- 1 - Unthreaded trunnion
- 2 - Insulating plastic strap
- 3 - M8 "Allen" Screw
- 4 - Threaded trunnion
- 5 - Security Tip
- 6 - M8 nylstop nut

### TYPE "A" STAMPED SUPPORT



This type of support allows for 55 mm between the frame and the tank. It accepts straps up to 35 mm wide.

### TYPE "B" STAMPED SUPPORT



This type of support allows for only 23mm between the frame and the tank. It accepts straps up to 35 mm wide .

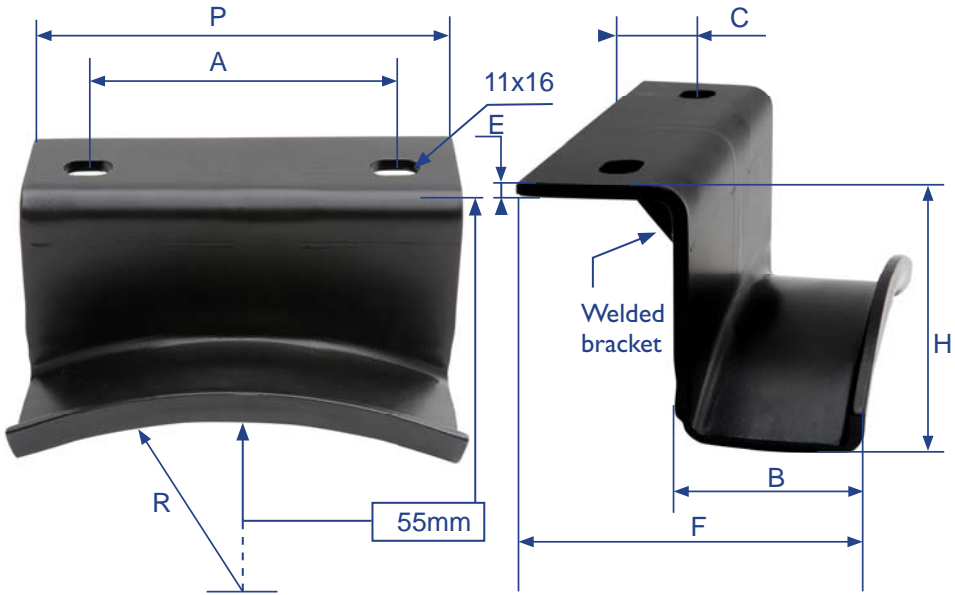
# STEEL

## "STAMPED" Support

### TYPE "A" STAMPED SUPPORT

Steel with a thickness of 4 mm .

Electrogalvanised and coated with 50 micron thick layer epoxy black paint.  
 Distance between the chassis of the vehicle and the top of the tank = 55 mm.  
 These supports accept straps up to 35 mm wide and are attached to the chassis by two M10 screws (not included). Sold individually in a plastic bag.



ALK Ref.	Tank Diameter = D	R	A	B	C	E	F	H	P
79.150.00	150	75	42	51	22	4	92	63	68
79.200.00	200	100	60	51	22	4	92	66	90
79.206.00	206	103	66	51	22	4	92	66	92
79.246.00	246	123	78	51	22	4	92	68	110
79.250.00	250	125	80	51	22	4	92	68	112
79.276.00	275-276	138	88	51	22	4	92	69	124
79.300.00	300	150	96	51	22	4	92	71	134
79.310.00	310	155	100	51	22	4	92	71	140
79.350.00	350	175	112	51	22	4	92	73	156
79.396.00	396	198	126	51	22	4	92	76	176
79.400.00	400	200	128	51	22	4	92	76	180

Dimensions in millimetres

D = External Diameter of the Tank in mm - th (mm) = thickness

# "STAMPED" Support

STEEL

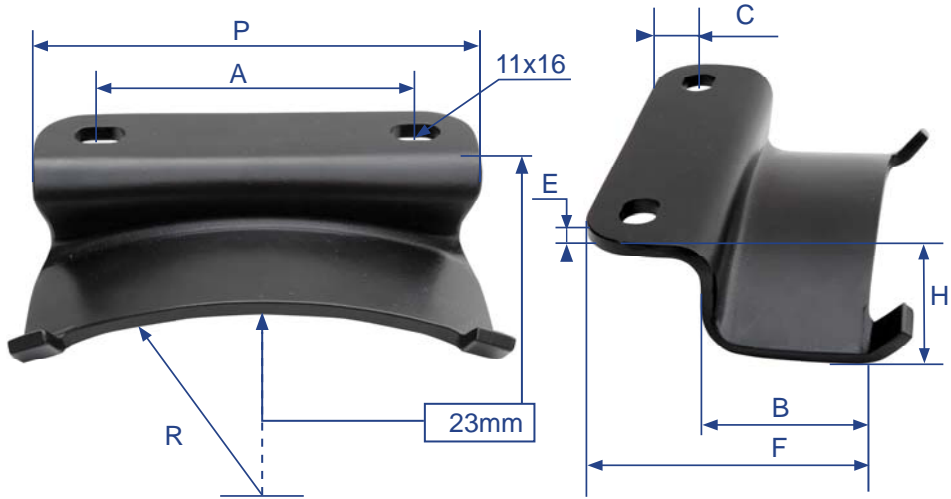
## TYPE "B" STAMPED SUPPORT

Steel with a thickness of 5 mm.

Electrogalvanised and coated with 50 micron thick layer epoxy black paint.

Distance between the chassis of the vehicle and the top of the tank = 23 mm.

These supports accept straps up to 35 mm wide and are attached to the chassis by two M10 screws (not included). Sold individually in a plastic bag.



ALK Ref.	Tank Diameter = D	R	A	B	C	E	F	H	P
80.150.00	150	75	42	48	15	5	83	31	68
80.200.00	200	100	60	48	15	5	83	34	90
80.206.00	206	103	66	48	15	5	83	34	92
80.246.00	246	123	78	48	15	5	83	36	110
80.250.00	250	125	80	48	15	5	83	36	112
80.276.00	275-276	138	88	48	15	5	83	37	124
80.300.00	300	150	96	48	15	5	83	39	134
80.310.00	310	155	100	48	15	5	83	39	140
80.350.00	350	175	112	48	15	5	83	41	156
80.396.00	396	198	126	48	15	5	83	44	176
80.400.00	400	200	128	48	15	5	83	44	180

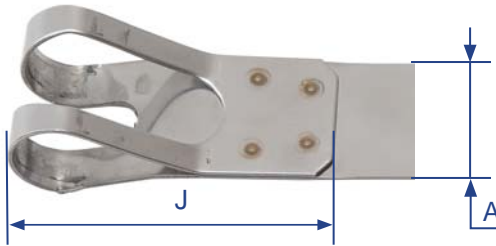
Dimensions in millimetres

D = External Diameter of the Tank in mm

## STEEL STRAPS

These straps have an "E" thickness from 1 to 1.8 mm depending on their composition and diameter.

The standard steel versions are painted black and the stainless steel versions are uncoated. Sold individually in a plastic bag.



Four fastening points at the Close of each loop and the shape of the strap mean that the trunnion and screw can be rotated easily.

ALK Ref. Steel	E	ALK Ref. Stainless	E	Tank Diameter = D	R	A	J	L
81.150.00	1,5	82.150.00	1,0	150	75	33	67	474
81.200.00	1,5	82.200.00	1,0	200	100	33	67	631
81.206.00	1,5	82.206.00	1,0	206	103	33	67	650
81.246.00	1,5	82.246.00	1,0	246	123	33	67	775
81.250.00	1,5	82.250.00	1,0	250	125	33	67	788
81.276.00	1,5	82.276.00	1,0	275-276	138	33	67	870
81.300.00	1,8	82.300.00	1,5	300	150	33	67	945
81.310.00	1,8	82.310.00	1,5	310	155	33	67	976
81.350.00	1,8	82.350.00	1,5	350	175	33	67	1102
81.396.00	1,8	82.396.00	1,5	396	198	33	67	1247
81.400.00	1,8	82.400.00	1,5	400	200	33	67	1259

Dimensions in millimetres

D = External Diameter of the Tank in mm

E = thickness of the strap in mm

### INSULATING PLASTIC STRAPS

These straps are 1,10 mm thick and prevent the steel strap and the support coming into contact with the air tank. They have their own fastening system and remain in position when fastened. Sold individually in a plastic bag.

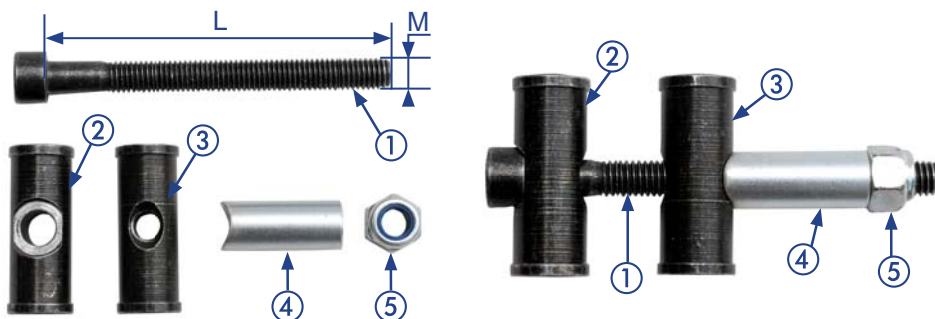


ALK Ref.	Tank Diameter = D	A	L	ALK Ref.	Tank Diameter = D	A	L
83.150.00	150	40	546	83.300.00	300	40	1017
83.200.00	200	40	703	83.310.00	310	40	1048
83.206.00	206	40	722	83.350.00	350	40	1174
83.246.00	246	40	847	83.396.00	396	40	1318
83.250.00	250	40	860	83.400.00	400	40	1331
83.276.00	275-276	40	942				

Dimensions in millimetres  
D = External Diameter of the Tank in mm

### LOCKING SYSTEM

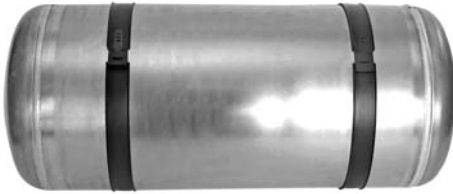
Identical for all clamps, it consists of an M8 "Allen" screw (1), with a trunnion Dia:16 mm non-threaded (2), with a trunnion Dia:16 mm threaded (3), with a security tip (4) and a Nylstop safety nut (5). Available in ST37 steel "Autoblack" or stainless steel. Sold individually in a plastic bag.



ALK Ref.	Tank Diameter = D	M	L	Material
85.000.00	All diameters	M8	90	ST37 Autoblack steel
86.000.00	All diameters	M8	90	SS409 stainless steel

Dimensions in millimetres  
D = External Diameter of the Tank in mm

This fastening system prevents the steel strap and support coming into contact with the air tank.



1 - Position and tighten the two plastic straps.



2- the support "ON" the plastic straps to prevent them coming into contact with the air tank.



3- Place the steel straps "ON" the stamped support and "ON" the plastic straps. Tighten with a N°6 ALLEN key.



4- Tighten and secure the entire unit by fitting the two security tips with the two NYLSTOP nuts.

